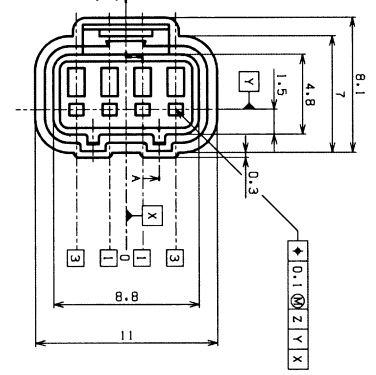
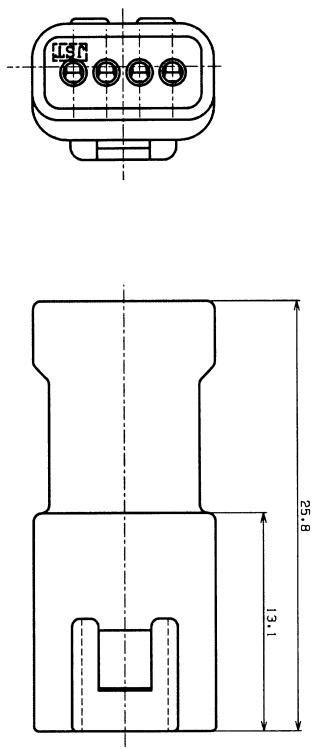
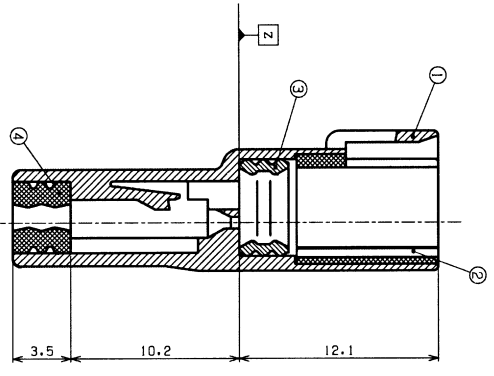
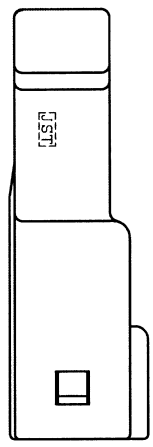
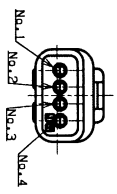


REV#	DESCRIPTION	DATE	DESIGNED
-2	Drawing renewal	Dec.26.2000	K. YUASA



NOTE
 1.Unless otherwise specified tolerances are
 1.5X,0.1X,0.2
 1.5X,0.3
 2.Designation of circuit number.



Section A-A



4	Seal Rubber Plate	SI (Light Blue)	
3	Seal Ring	SI (Blue)	
2	Seal Ring Holder	PBT (Yellow)	UL94V-0
1	TAB HOUSING	PBT (Natural)	UL94V-0

UNIT METRIC 1:1
 PROTECTION DATE DEC.26.2000
 APPROVED CHECKED DESIGNED DRAWN
 A. Yoshida K. Yuasa N. Kusaka
JST J.S.T. MFG. CO., LTD.
 DRAWING No. KR0-25219-2
 SERIAL PART No. Q4T-1JPF-VSL-E-S
 REMARKS SURFACE FINISH
 CUSTOMER TAB HOUSING ASSEMBLY, JMPF CONNECTOR
 BQ

THIS DRAWING CONTAINS INFORMATION THAT IS PROPRIETARY TO J.S.T. AND SHOULD NOT BE USED WITHOUT WRITTEN PERMISSION.